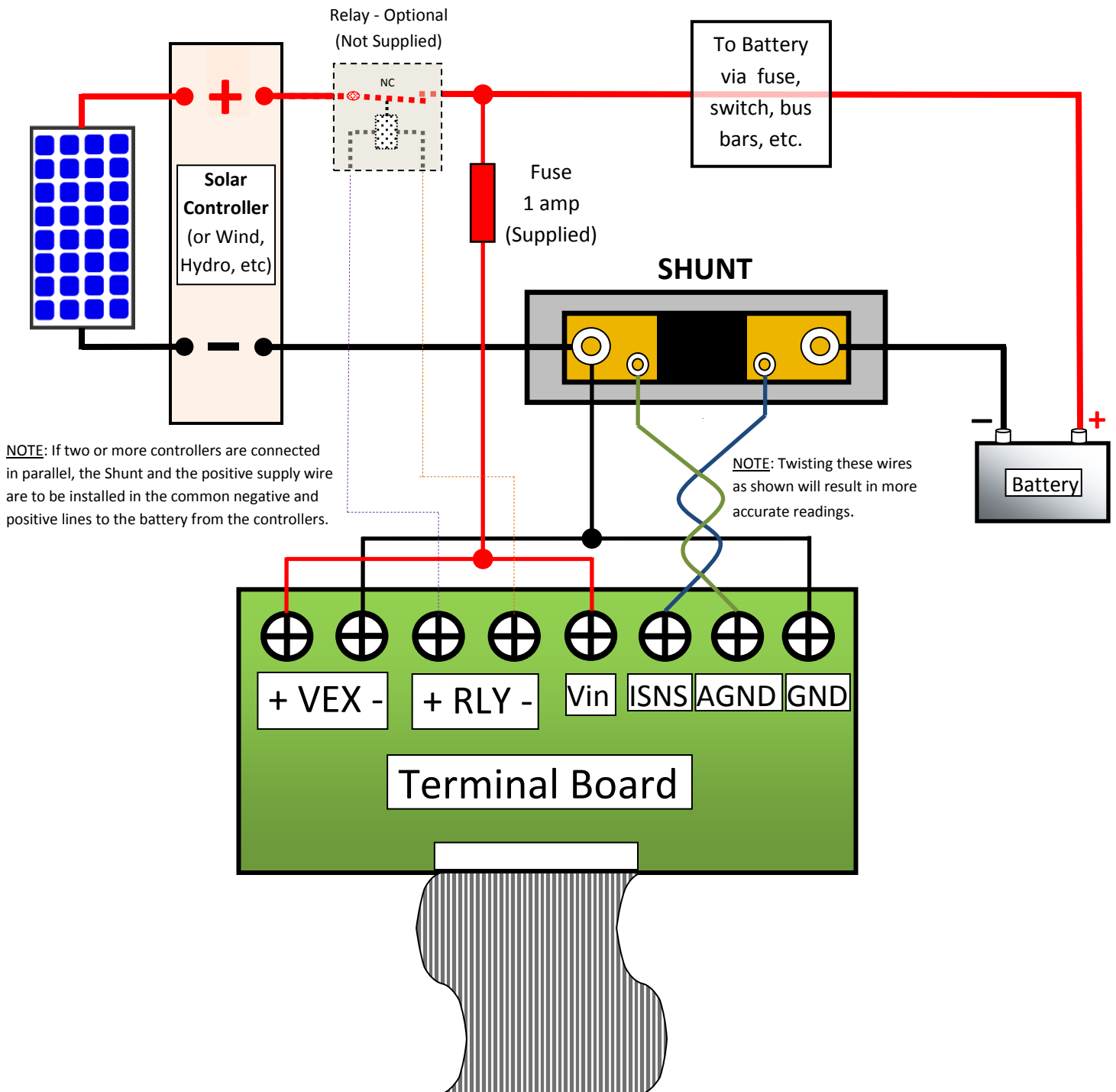


Coastal "Watt Wizard" Wiring

Schematic shows wiring for one solar panel and controller (regulator), but is the same for any charging source; i.e. wind generator, hydro-gen, etc. If **Watt Wizard** is to be used for monitoring loads; i.e. fridge, water maker, lights, etc., reverse ISNS and AGND wires on the Terminal Board.



8" Ribbon Cable to Display