



## SPS M2-450 *Blue+* Battery®

Ideal for demanding marine PSOC cycling applications



The proven benefits of **Blue Star Technology**® now enhanced to deliver longer battery life in Partial State Of Charge (PSOC) applications

- + Exceptional power in a compact and versatile package
- + Ideal for demanding marine applications where charging is often to less than 100% State Of Charge (SOC)
- + High cycle life and fast recharge performance
- + Thin Plate Pure Lead (TPPL) technology results in longer battery life without compromising power and performance
- + Modified electrochemistry helps prevent accumulation of life-shortening and power-robbing sulphate crystals
- + Higher charge voltage - Faster charging
- + Operating temperature range -40°C to +65°C
- + High modulus Polyphenylene Oxide (PPO) plastic materials designed to withstand extended elevated operating temperatures
  - Non-halogenated, thermally sealed plastic casing
  - Flame retardant (UL 94 V0) and LOI of at least 28%
- + Partial State of Charge (PSOC) cycling technology

Visit our website to find out more [www.CoastalClimateControl.com](http://www.CoastalClimateControl.com)



**Coastal Climate Control, Inc.**

[www.CoastalClimateControl.com](http://www.CoastalClimateControl.com) - [info@CoastalClimateControl.com](mailto:info@CoastalClimateControl.com)

301-352-5738 - Annapolis MD USA



# SPS M2-450 Blue+ Battery®

## Technical Specifications



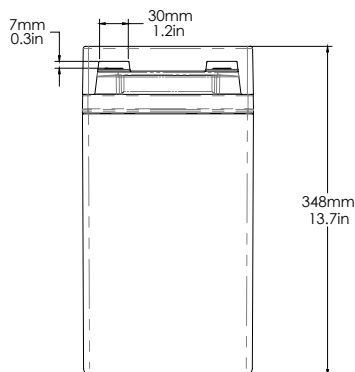
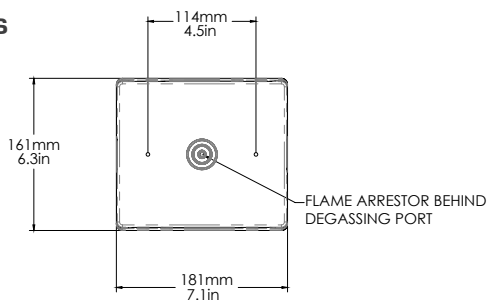
### Electrical

20 hour capacity to 1.75 VPC @ 25°C (77°F)	463 Amp/Hour
Reserve Minutes	TPD
Bulk Charge Voltage	2.45v @ 25°C (77°F)
Float Charge Voltage	2.27v @ 25°C (77°F)
Nominal Voltage	2 V
Impedance (1kHz)	0.2 mΩ @ 25°C (77°F)
Conductance	4,576 S
Short Circuit Current	7,200 A
Maximum Charge Current	no limit

### Dimensions

Height	161 mm (6.3 in)	Weight	28 kg (61 lbs)
Width	181 mm (7.1 in)	Terminal	Female M8 x 1.25
Depth	348 mm (13.7 in)	Terminal Torque	8.0 Nm (71 in-lbs)

### Drawings



All NorthStar batteries are compliant with: Telcordia SR4228; IEC 60896; Bellcore GR-63-Core, Issue 1; British, German, and Russian telecom standards; UL approved. NorthStar is registered to ISO 9001 and ISO 14001.



**Coastal Climate Control, Inc.**

www.CoastalClimateControl.com - info@CoastalClimateControl.com  
301-352-5738 - Annapolis MD USA