

EasyStart

EasyStart

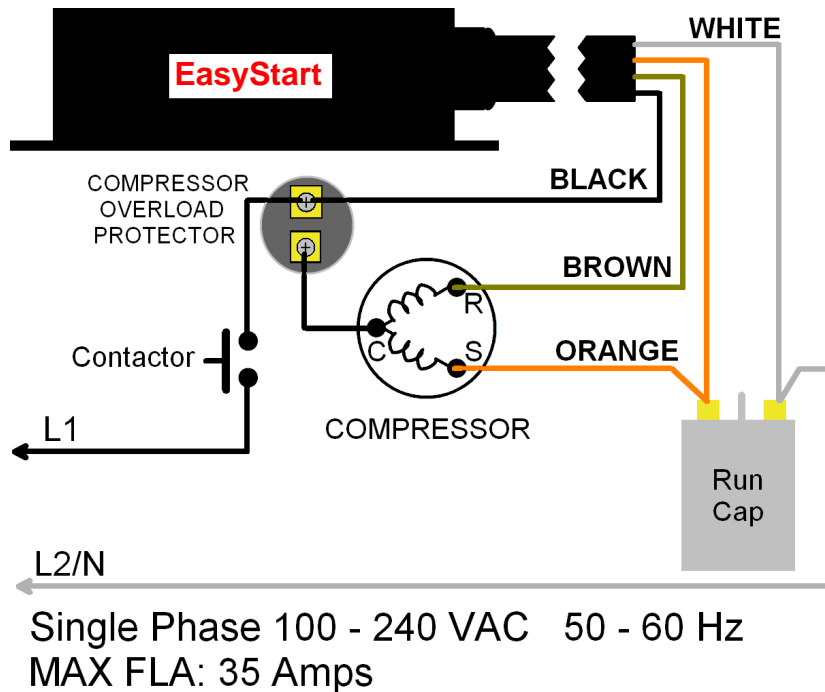
Features:

- Starting current reduction to less than half of the locked rotor amps rating.
- Adaptive technology learns how the connected compressor starts.
- Improves starts while connected to long cable runs, such as boat docks.
- Works with most single phase compressors.
- Operates on 50 or 60 Hz with line voltages from 100 to 250VAC.

Initial Starts:

EasyStart has adaptive software that collects data during the first eleven starts of the compressor. EasyStart uses this data to determine the best starting characteristic for minimum start current delivered to the compressor. It is highly recommended that these starts be done with a stable power source such as shore power. Start the compressor eleven times after installation to allow EasyStart to learn about the compressor. No further setup is required.

Wiring Diagram



Coastal Climate Control, Inc.

www.coastalcoolaids.com info@coastalcoolaids.com

301-352-5738 - Annapolis MD USA

Easy Start Specifications

Stand Alone Model 364

Electrical:

Voltage: 100 to 250 VAC
Phase: Single Phase
Frequency: 50 or 60 Hz
Current: 35 FLA rated compressor maximum.
Reduction: > 50% LRA
Start Capacitor: 10µFtpcn

Environmental:

Operating: 0°C to 70°C (32°F to 158°F)
Relative Humidity: 95% non-condensing

Storage: -20°C to 80°C (-4°F to 176°F)
Relative Humidity: 99% non-condensing

Physical:

Box: Pactec® FXT-6030
Protection: IP20
Dimensions: 76.2mm x 51.99mm x 178.36mm
3.00in x 2.047in x 7.022in
Weight: < 680g (<1.5 lb)

Lifetime: 20,000 starts
Minimum time between two starts: 5 minutes

Compliance:

RoHS, CE

Available from:



Coastal Climate Control, Inc.

www.coastalcoolaids.com info@coastalcoolaids.com

301-352-5738 - Annapolis MD USA